

Inductive sensor

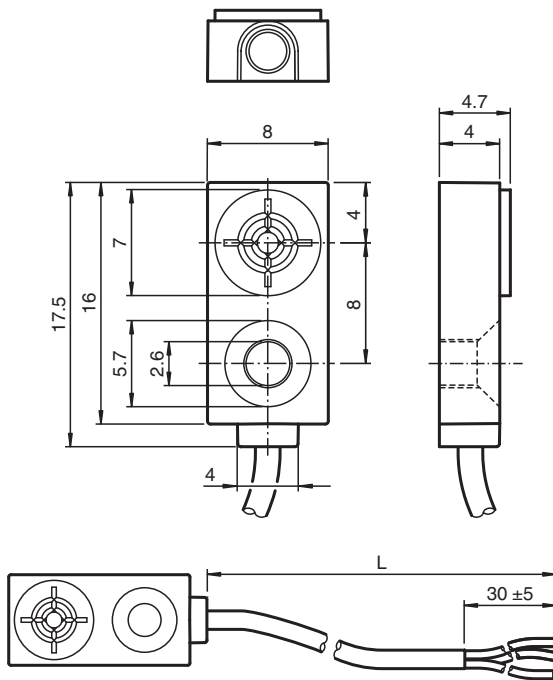
NBB1,5-F79-E0-5M



- 1.5 mm flush
- 3-wire DC



Dimensions



Technical Data

General specifications

| | | |
|----------------------------|-------|--------------------|
| Switching function | | Normally open (NO) |
| Output type | | NPN |
| Rated operating distance | s_n | 1.5 mm |
| Installation | | flush |
| Output polarity | | DC |
| Assured operating distance | s_a | 0 ... 1.215 mm |
| Reduction factor r_{Al} | | 0.3 |
| Reduction factor r_{Cu} | | 0.2 |
| Reduction factor r_{304} | | 0.7 |

Release date: 2022-08-03 Date of issue: 2022-08-04 Filename: 269259_eng.pdf

Refer to "General Notes Relating to Pepperl+Fuchs Product Information".

Pepperl+Fuchs Group
www.pepperl-fuchs.com

USA: +1 330 486 0001
fa-info@us.pepperl-fuchs.com

Germany: +49 621 776 1111
fa-info@de.pepperl-fuchs.com

Singapore: +65 6779 9091
fa-info@sg.pepperl-fuchs.com

PEPPERL+FUCHS

Technical Data

| | | |
|---|-------|---|
| Output type | | 3-wire |
| Nominal ratings | | |
| Operating voltage | U_B | 5 ... 30 V DC |
| Switching frequency | f | 0 ... 1200 Hz |
| Hysteresis | H | typ. 5 % |
| Short-circuit protection | | pulsing |
| Voltage drop | U_d | ≤ 1.5 V |
| Operating current | I_L | 0 ... 100 mA |
| Off-state current | I_r | ≤ 10 μ A |
| No-load supply current | I_0 | ≤ 15 mA |
| Time delay before availability | t_v | ≤ 20 ms |
| Compliance with standards and directives | | |
| Standard conformity | | |
| Standards | | EN 60947-5-2:2007 EN 60947-5-2/A1:2012 IEC 60947-5-2:2007 IEC 60947-5-2 AMD 1:2012 |
| Approvals and certificates | | |
| CCC approval | | CCC approval / marking not required for products rated ≤ 36 V |
| Ambient conditions | | |
| Ambient temperature | | -25 ... 70 °C (-13 ... 158 °F) |
| Mechanical specifications | | |
| Connection type | | 3-wire cable PVC, 5 m |
| Core cross section | | 3 x 0.09 mm ² |
| Housing material | | PA |
| Sensing face | | PA |
| Degree of protection | | IP67 |
| Cable | | |
| Cable diameter | | 2.3 mm \pm 0.2 mm |
| Bending radius | | > 10 x cable diameter |

Connection

